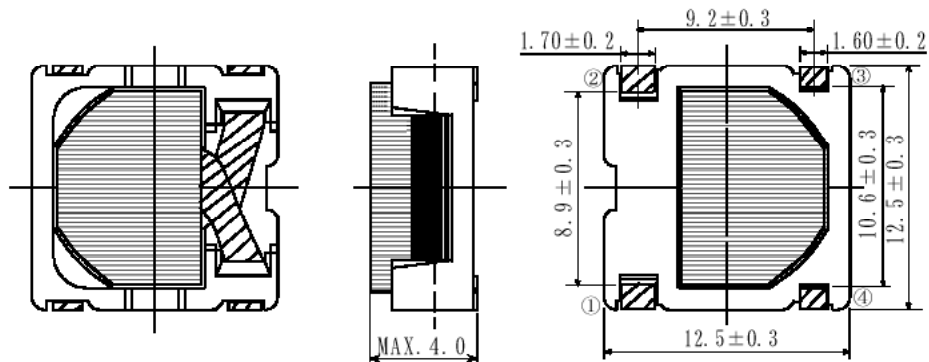
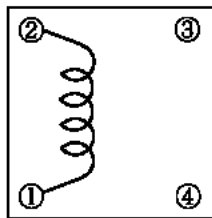


SPECIFICATION		
SUMIDA TYPE	CEP12D38	PART NO. REF. TO P. 4/5

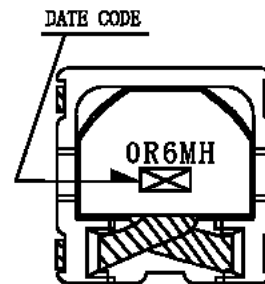
1. DIMENSION (UNIT mm)



2. CONNECTION (BOTTOM)



3. STAMP (EXP.)



4. NOTE

- \* PLEASE DO NOT USE A WASHING AGENT.
- \* ENCLOSING CONDITION OF COILS.



- \* CARRIER TAPE PACKING SPECIFICATION IN DETAIL S-074-5089.
- \* PLEASE PAY ATTENTION TO THE SUITABILITY OF THE PATTERN FOR THE CURRENT IN DESIGN.
- \* RECOMMENDED REFLOW CONDITION TO BE ACCORDING TO S-074-5003.
- \* PLEASE PAY ATTENTION TO SAFETY DISTANCE BETWEEN COIL PERIPHERY AND OTHER PARTS OR COPPER PATTERN, BECAUSE Mn-Zn SERIES FERRITE CORE IS USED IN THE PRODUCTS.

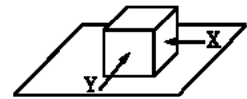
28th, Jun., 1999			SUMIDA CODE	4713
CHK.	CHK.	DRG.	DRG. NO. 2/5  S-074-6080	
CHEN WEIMING	HE GUOGAO	ZHONG ZIJIAN Q		

# GENERAL CHARACTERISTICS

TYPE

CEP12D38

1. STORAGE TEMPERATURE : -40°C ~ +100°C (COIL SINGULAR)  
RANGE
2. OPERATING TEMPERATURE : -40°C ~ +100°C ( COIL CONTAIN HEAT )  
RANGE
3. EXTERNAL APPEARANCE : ON VISUAL INSPECTION, THE COIL HAS NO EXTERNAL DEFECTS.
4. TERMINAL STRENGTH : AFTER SOLDERING, BETWEEN COPPER PLATE AND  
TERMINAL OF COIL, PUSH IN TWO DIRECTIONS  
OF X, Y WITHSTANDING5. ON FOR 10. 0 ± 1 SECONDS.  
TERMINAL SHOULD NOT PEEL OFF.  
(REFER TO FIGURE AT RIGHT)
5. HEAT ENDURANCE TEST : REFER TO S-074-5002.
6. INDUCTANCE TEMPERATURE: (0~2000) × 10<sup>-6</sup>/°C (-40°C ~ +100°C)  
COEFFICIENT
7. HUMIDITY TEST : INDUCTANCE DEVIATION WITHIN ± 5. 0% AFTER PUTTING THE COIL INTO THE  
ENVIRONMENT OF 90~95% RELATIVE HUMIDITY AND TEMPERATURE OF 40 ± 2°C  
FOR 96 HOURS, THEN DRYING UNDER NORMAL CONDITION FOR 2 HOUR.
8. VIBRATION TEST : INDUCTANCE DEVIATION WITHIN ± 3. 0% VIBRATION FOR 1 HOUR IN EACH OF  
THE THREE ORIENTATIONS VERTICALLY EACH OTHER (X. Y. Z) AT SWEEP VIBRATION  
(10~55~10Hz) WITH 1. 5mm P-P AMPLITUDE.
9. SHOCK TEST : INDUCTANCE DEVIATION WITHIN ± 3. 0% TESTED IN EACH OF THE THREE  
ORIENTATIONS VERTICALLY FOR 1 TIME AT THE SHOCK ACCELERATION OF  
981m/s<sup>2</sup> (100G), USING RUBBER BLOCK SHOCK TESTING MACHINE.



28th, Jun., 1999

CHK.	CHK.	DRG.
CHEN WEIMING	HE GUOGAO	ZHONG ZIJIAN Q

DRG. NO.

3 / 5

S-074-6080

# SPECIFICATION

TYPE

CEP12D38

## ELECTRICAL CHARACTERISTICS-1

NO.	PART NAME	STAMP	INDUCTANCE [WITHIN] ※ 1	D. C. R. (mΩ) [MAX.] ※ 2 (at 20°C)	THE SATURATION CURRENT (A) ※ 3		TEMPERATURE RISE (A) ※ 4 ΔT=40°C	SUMIDA CODE
					(at 20°C)	(at 100°C)		
0 1	CEP12D38-0R6MC-H	R6MH	0.6 μH ± 20%	6.0 (5.0)	24.4	20.0	11.5	-0002
0 2	CEP12D38-1R1MC-H	1R1MH	1.1 μH ± 20%	7.2 (6.0)	18.1	14.6	10.0	-0003
0 3	CEP12D38-1R8MC-H	1R8MH	1.8 μH ± 20%	8.6 (7.1)	13.9	11.5	9.5	-0004
0 4	CEP12D38-2R6MC-H	2R6MH	2.6 μH ± 20%	12.1 (10.1)	12.2	9.9	8.0	-0005

## ELECTRICAL CHARACTERISTICS-2

NO.	PART NAME	STAMP	INDUCTANCE [WITHIN] ※ 1	D. C. R. (mΩ) [MAX.] ※ 2 (at 20°C)	THE SATURATION CURRENT (A) ※ 3		TEMPERATURE RISE (A) ※ 4 ΔT=40°C	SUMIDA CODE
					(at 20°C)	(at 100°C)		
0 5	CEP12D38-1R0MC	1R0M	1.0 μH ± 20%	6.0 (5.0)	14.8	12.2	11.5	-0006
0 6	CEP12D38-1R8MC	1R8M	1.8 μH ± 20%	7.2 (6.0)	11.0	9.0	10.0	-0007
0 7	CEP12D38-2R8MC	2R8M	2.8 μH ± 20%	8.6 (7.1)	8.8	7.4	9.5	-0008
0 8	CEP12D38-4R0MC	4R0M	4.0 μH ± 20%	12.1 (10.1)	7.2	6.2	8.0	-0009

※ 1: MEASURED AT FREQUENCY OF 100 kHz 1V

※ 2: D. C. R. ( ) TYPICAL VALUE.

※ 3: THE SATURATION CURRENT: THIS INDUCTANCE THE VALUE OF CURRENT WHEN THE INDUCTANCE IS OVER 75% OF THE NOMINAL VALUE.

※ 4: THE TEMPERATURE RISE: THE VALUE OF D. C. CURRENT WHEN THE TEMPERATURE RISE IS ΔT=40°C (Ta=20°C).

28th, Jun., 1999

SUMIDA CODE

4713

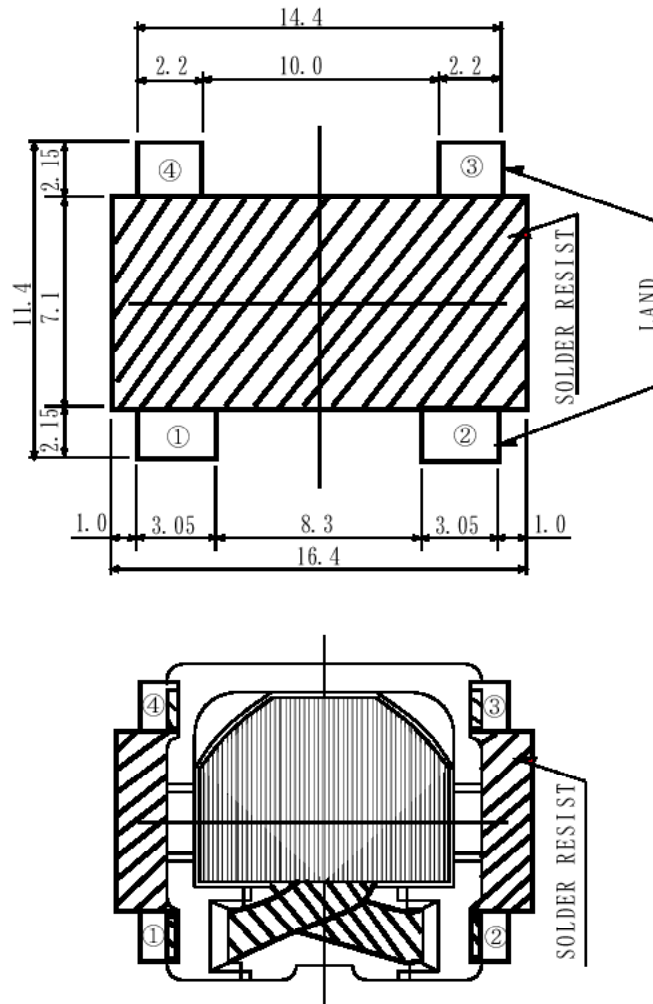
CHK.	CHK.	DRG.	DRG. NO.
CHEN WEIMING	HE GUOGAO	ZHONG ZIJIAN Q	

# SPECIFICATION

TYPE

CEP12D38

RECOMMENDED DIMENTION OF LAND (mm)



\* RECOMMENDED METAL MASK THICKNESS IS 0.2mm.

28th, Jun., 1999

CHK.	CHK.	DRG.
CHEN WEIMING	HE GUOGAO	ZHONG ZIJIAN Q

DRG. NO.	5/5
S-074-6080	